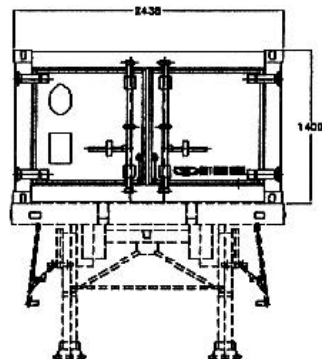


FRONT VIEW



REAR VIEW

NOTE

1. PRODUCT : CNG
2. TUBE :
 - 08 DOT JAAX & E8009-2900(200bar). OD 22"(558.8mm) x 36'(10980mm)L x 0.850"(16.5mm)WALL
3. SKID : ACCORDING TO ISO 658
4. WEIGHT SPECIFICATION
 - TUBES : 50,177 LBS (22,760 kg)
 - SKID : 6,195 LBS (2,810 kg)
 - PRODUCT : 7,410 LBS (3,360 kg)
 - GROSS : 63,780 LBS (28,930 kg)

APPROVED		8 TUBE CNG 40 ft SKID 22"OD x 36'L x 8 TUBE			
CHECKED					
CHECKED					
DRAWN					
	MODEL NO.	DATE	DWG NO.	SHEET	REV.
	TT-18000	02.11.14		1/1	a
		SCALE			
		1/50			